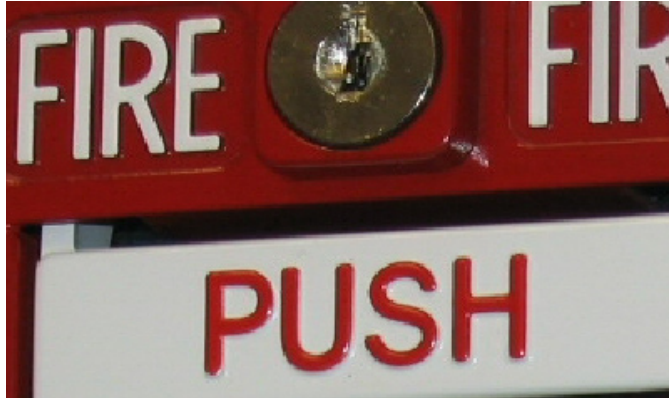




AX Series

INTELLIGENT MANUAL PULL STATIONS



Unique Features:

- Addressable Pull Station
- ADA Compliant
- UL Standard 38 Listed
- Single or Dual Action
- Rugged Die-Cast Metal Construction
- Optional Weatherproof Backbox

Description:

Advanced Fire System's **AX Series** Intelligent Manual Pull Stations (AX-APS) consists of a family of versatile, low profile, high quality, addressable manual pull stations. Easily recognizable during a fire situation, the AX-APS stations are constructed of rugged die-cast metal for long life and reliability, with a high gloss red finish and raised white "FIRE" lettering. In addition to the rugged exterior, the alarm contacts of each AX-APS station are gold plated to prevent corrosion.

The AX-APS stations are UL Listed and have been found to be in compliance with the latest requirements of the Americans with Disabilities Act (ADA). Activation of the pull station meets the requirements for five pound maximum pull force, and the single hand activation.

Available in either single (AX-APS-F1) or dual (AX-APS-F2) action configuration, the AX-APS stations are designed to prevent false alarms when bumped, jarred or shaken. The dual action AX-APS-F2 further deters malicious false alarms by requiring a two-process function for activation; first push the "PUSH" bar inwards which then allows the "PULL" bar to be grasped and pulled outward.

Optional surface backboxes are available for indoor and weatherproof applications. The weatherproof backbox includes a gasket kit which must be utilized to meet weatherproof requirements.

The **AX Series** Intelligent Manual Pull Stations are available in a variety of colors to meet various special application requirements. Colored stations do not include the raised white "FIRE" labeling, but are capable of accommodating labels for Alert, Alarm, Exit, Evac, etc. identification. Special applications can include; weather alert, door release, medical emergency, fire suppression activation and others.



Features:

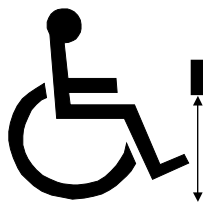
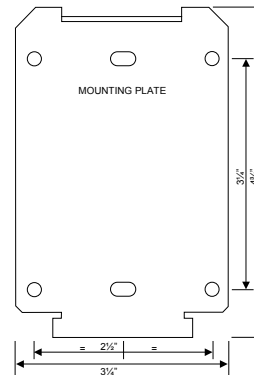
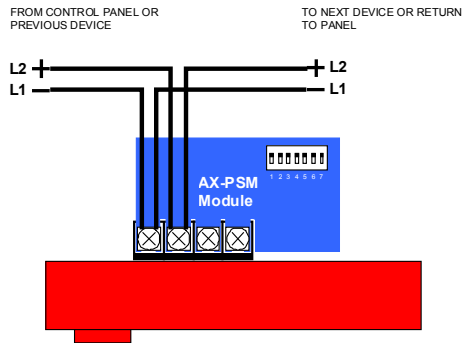
- Low Profile, High Visibility Design
- Visual Indication of Activation
- Gold Plated Alarm Contacts
- Screw Terminals for Field Wiring
- Surface or Semi-Flush Mountable
- Available in Special Application Colors
- Key-Lock for Reset & Testing

Product Data Sheet



Operation

The AX-APS stations are operated by pulling the handle marked "PULL" on the front of the station as far down as it will go. At this point, the station will lock in place and is easily visible from up to 50 feet away. The activation handle is reset by opening the station with the reset key (keyed to match AX Series Intelligent Fire Alarm Control Panels), placing the handle in the normal upright position and relocking the station. On the AX-APS-F2 dual station model, the "PUSH" bar must be rotated inward prior to pulling the handle marked "PULL".



Install the AX-APS pull stations in accordance with local codes and regulations. To comply with the ADA requirements, locate the pull station on the wall as follows:

Front wheelchair access: < 48"
Side wheelchair access: < 54"

Intelligent Manual Pull Stations Specification Details	
Operating Voltage	17-28 VDC, w/Communication Pulses 5-9 VDC
Operating Current Quiescent Alarm	1.7 mA 2.7 mA
Operating Temperature	-24°F (-5°C) to 110°F (49°C)
Relative Humidity	0-95% non-condensing
Dimensions w/Surface Mount Backbox	4 3/4" H x 3 1/4" W x 1.1" D 4 3/4" H x 3 1/4" W x 2 1/4" D (cast or sheet metal)
Weight	1.1 lb
Analog Value	16 = Normal, 64 = Alarm, 4 = Trouble
Address Range	1 - 126 (DIP Switch Programmable)
Color	Red w/Raised White Letters, White "PULL" Bar w/Raised Red Letters
Optional Colors	Blue, Yellow and Green

Ordering Information	
AX-APS-F1	Intelligent Manual Pull Station, Single Action
AX-APS-F2	Intelligent Manual Pull Station, Dual Action
options:	
AX-APS-BB1	Interior Surface Mount Backbox - Red (sheet metal)
AX-APS-BB2	Weatherproof Surface Mount Backbox - Red (die-cast metal w/gasket assembly)
AX-APS-GLS	Package of Scored Plastic (acrylic) Breakrods (1 dozen to a packet)
special application colors:	
AX-APS-B1	Blue, Intelligent Manual Pull Station, Single Action
AX-APS-Y1	Yellow, Intelligent Manual Pull Station, Single Action
AX-APS-G1	Green, Intelligent Manual Pull Station, Single Action



100 South Street, Hopkinton, Massachusetts, USA MA 01748
 Tel: 1.508.453.9995 ■ Fax: 1.508.453.9996 ■ www.afsi.us.com