



AX Series

CITY TIE MODULE (EOL)



Unique Features:

- ANSI/UL 864 9th Edition Listed
- Supervised Masterbox Trip Circuitry
- Superior Transient Protection
- NAC Circuit Interface

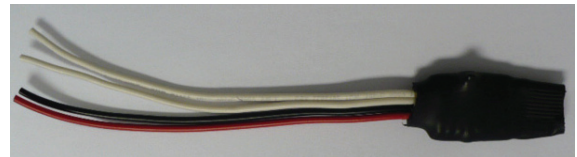
Description:

The AX-CTY, City Tie Module, is an interface module that allows the AX Series Intelligent Fire Alarm Control Panel, via a dedicated notification appliance circuit, to control and monitor a Local Energy Masterbox. When properly connected, supervision of all wiring is provided along with all the necessary power to trip the Masterbox coil.

The compact designed, AX-CTY connects to any AX Series dedicated notification appliance circuit (AX-LPD/AX-NAC [internal panel NACs] or AX-NACM [SLC loop external NAC module]). The module may be installed in a standard electrical box with or without the AX-NACM (SLC loop external NAC module).

Programming of the AX-CTY can be performed from either the Advanced User Interface w/Graphical LCD or via Advanced Fire Systems Windows™ Based PC-Net configuration software.

In addition to the supervision/control of a Local Energy Masterbox, a Masterbox disconnect switch w/LED status can be provided for projects that require this functionality. Disconnect would be via a dedicated AX-I/O module and key/LED single-gang plate.



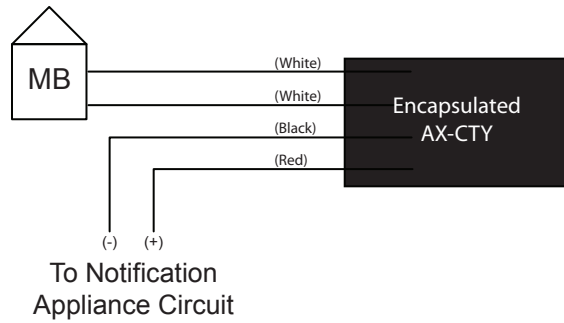
Features:

- Compact, Design
- Standard Electrical Box Mount
- Supports *DynamiX* I/O Relationship Programming
- Optional Disconnect Switch w/LED Status

Product Data Sheet



AX-CTY Module Wiring (712-1092)



* Must be connected to a dedicated non-silenceable NAC circuit, programmed to activate on general alarm.

AX-CTY Module Specification Details

Operating Voltage	18 - 28 VDC
Operating Current Quiescent Alarm	0 mA .5 A (max) for < 1/2 Second
Operating Temperature	32-120° F (0-48° C)
Environment	Indoor, Dry
Humidity	10-95% (non-condensing)
Dimensions	1/2" H x 1" W x 8 1/2" L (includes wire length)
Weight	0.8 oz

Ordering Information

AX-CTY	City Tie Module (712-1092)
--------	----------------------------



100 South Street, Hopkinton, Massachusetts, USA MA 01748
Tel: 1.508.453.9995 ■ Fax: 1.508.453.9996 ■ www.afsi.us.com